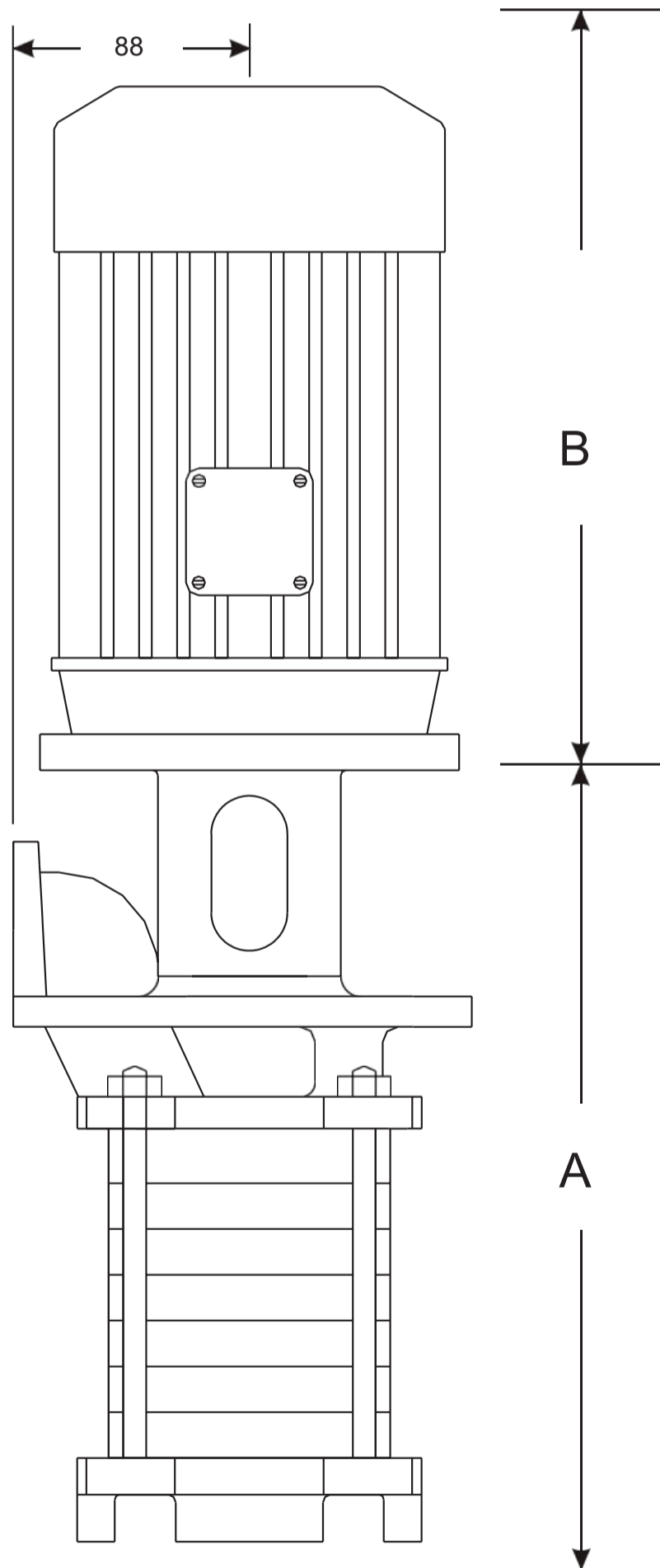
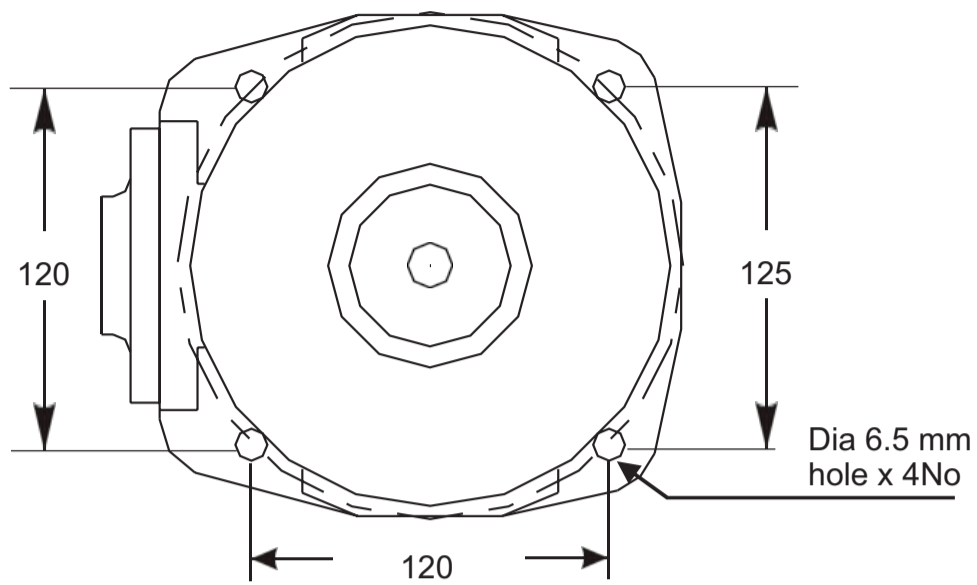


### Foundation Details



## Coolant Pump

### General Dimension Series - 2

Model	Dimension (mm)	Motor 3-ph
	A	B
2 - 20	142	225
2 - 30	160	225
2 - 40	178	255
2 - 50	196	255
2 - 60	214	255
2 - 70	232	255
2 - 90	268	255
2 - 110	304	255
2 - 130	340	260
2 - 150	376	260
2 - 180	430	285
2 - 220	502	285
2 - 260	570	325
2 - 260	860	421

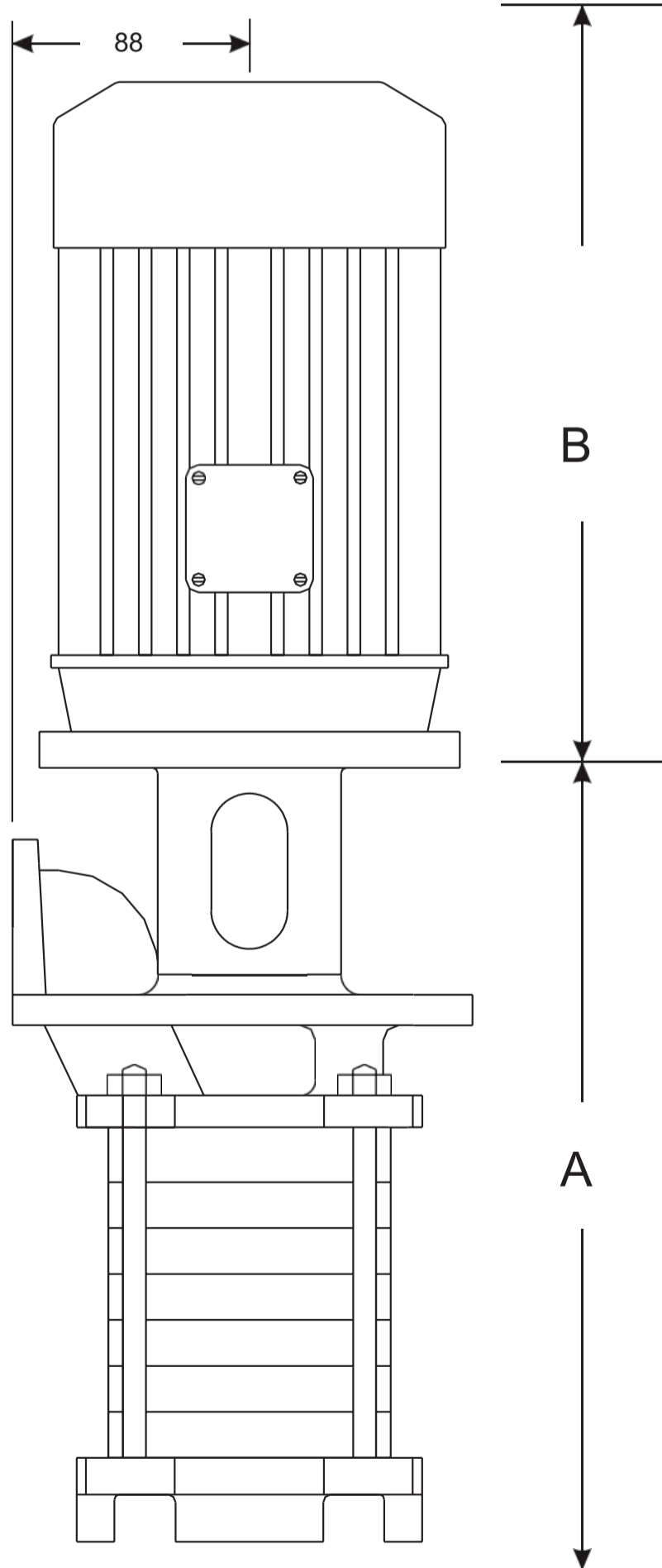
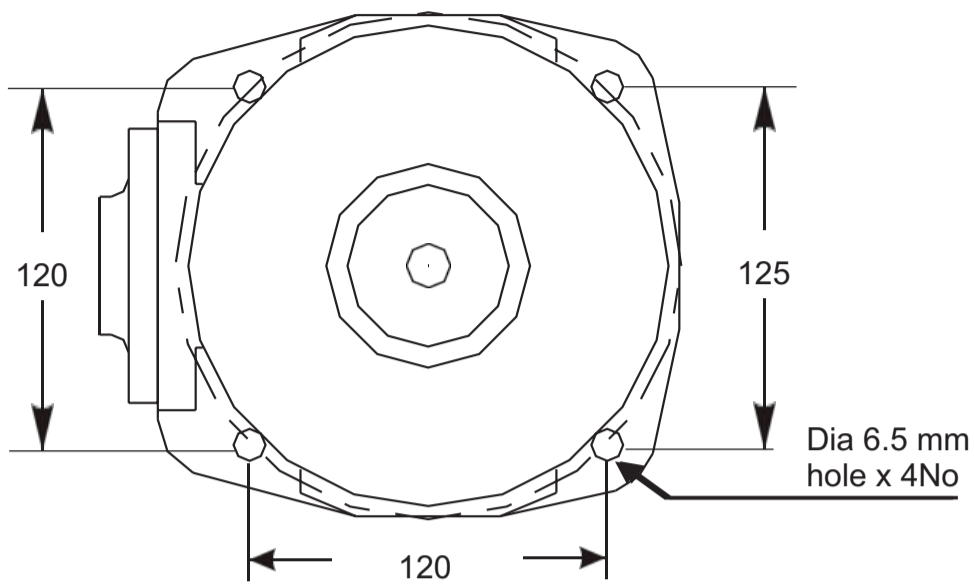
## Swift Pumps and Spares

WWW.SWIFTPUMP.COM

e-mail : swiftpump@gmail.com

Phone : 02827- 253202, 9033332800

### Foundation Details



## Coolant Pump

### General Dimension Series - 4

Model	Dimension (mm)	Motor
		3-ph
	A	B
4 - 20	160	225
4 - 30	187	255
4 - 40	214	255
4 - 50	241	255
4 - 60	268	255
4 - 70	295	260
4 - 80	322	260
4 - 100	376	285
4 - 120	430	285
4 - 140	484	325
4 - 160	538	325
4 - 190	619	335
4 - 220	700	335
4 - 280	970	421

## Swift Pumps and Spares

WWW.SWIFTPUMP.COM

e-mail : swiftpump@gmail.com

Phone : 02827- 253202, 9033332800